

PLEASE CHECK WWW.MOLEX.COM FOR LATEST PART INFORMATION

Part Number: [0534600629](#)
Status: **Active**
Overview: [ieee 1394](#)
Description: 2.00mm (.079") Pitch IEEE 1394-1995 Shielded I/O PCB Socket, Right Angle, Upright, Lead-free, with Kinked Solder Tabs

Documents:

3D Model	Product Specification PS-54030-032 (PDF)
Drawing (PDF)	Product Specification PS-54030-033 (PDF)
Product Specification PS-51145-001 (PDF)	Product Specification PS-54030-035 (PDF)
Product Specification PS-53460-001 (PDF)	Product Specification PS-54030-036 (PDF)
Product Specification PS-53460-002 (PDF)	Product Specification PS-54030-038 (PDF)
Product Specification PS-53460-003 (PDF)	Product Specification PS-54030-039 (PDF)
Product Specification PS-53460-005 (PDF)	Product Specification PS-59205-209 (PDF)
Product Specification PS-53460-006 (PDF)	RoHS Certificate of Compliance (PDF)
Product Specification PS-54030-010 (PDF)	

Agency Certification

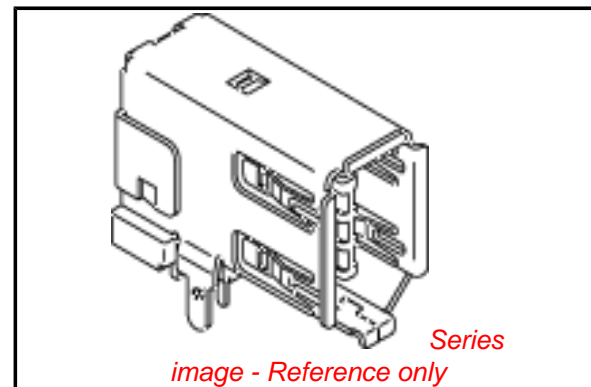
CSA	LR19980
UL	E29179

General

Product Family	I/O Connectors
Series	53460
Application	Wire-to-Board
Component Type	Receptacle
Overview	ieee 1394
Product Name	IEEE 1394
Type	N/A

Physical

Boot Color	N/A
Circuits (Loaded)	6
Circuits (maximum)	6
Color - Resin	Black
Flammability	94V-0
Gender	Male
Lock to Mating Part	Yes
Material - Plating Mating	Gold
Material - Plating Termination	Tin
Material - Resin	High Temperature Thermoplastic
Number of Rows	3
Orientation	Right Angle
PC Tail Length (in)	0.118 In
PC Tail Length (mm)	3.00 mm
PCB Locator	Yes
PCB Retention	Yes
PCB Thickness Recommended (in)	0.063 In
PCB Thickness Recommended (mm)	1.60 mm
Packaging Type	Tray
Panel Mount	No
Pitch - Mating Interface (in)	0.079 In
Pitch - Mating Interface (mm)	2.00 mm
Pitch - Term. Interface (in)	0.079 In
Pitch - Term. Interface (mm)	2.00 mm
Plating min: Mating (µin)	30.4



EU RoHS

ELV and RoHS Compliant
REACH SVHC
 Not Reviewed
Halogen-Free Status

Not Reviewed

Need more information on product environmental compliance?

Email productcompliance@molex.com
 For a multiple part number RoHS Certificate of Compliance, [click here](#)

Please visit the [Contact Us](#) section for any non-product compliance questions.

China RoHS



Search Parts in this Series

[53460Series](#)

Mates With

[59233-0xxx](#)|[59233-3xxx](#)|[59233-5xxx](#)|
[59233-7xxx](#)|[59233-6xxx](#)

Plating min: Mating (µm)	0.76
Plating min: Termination (µin)	122
Plating min: Termination (µm)	3.05
Polarized to Mating Part	Yes
Polarized to PCB	Yes
Ports	1
Surface Mount Compatible (SMC)	Yes
Temperature Range - Operating	-40°C to +85°C
Termination Interface: Style	Through Hole
Waterproof / Dustproof	No
Wire Size AWG	N/A

Electrical

Current - Maximum per Contact	1.5A
Shield Type	Full Shield
Shielded	Yes
Voltage - Maximum	40V

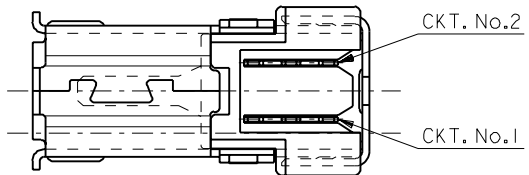
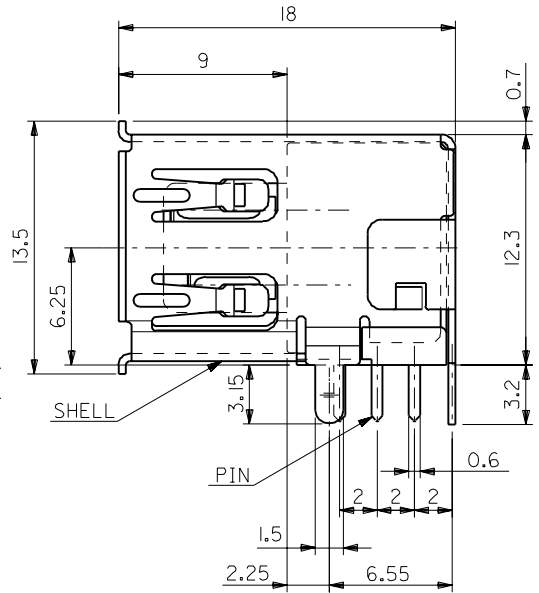
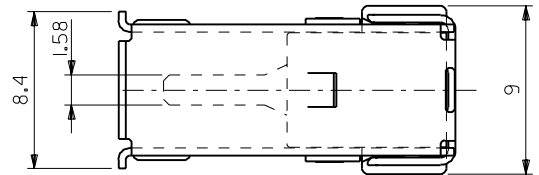
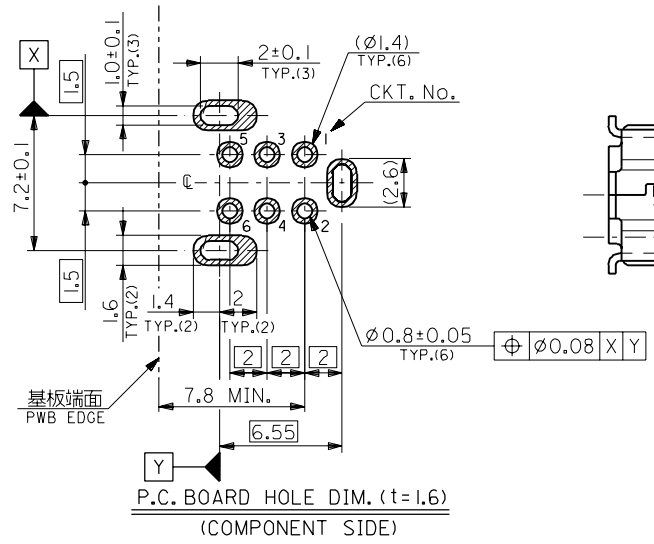
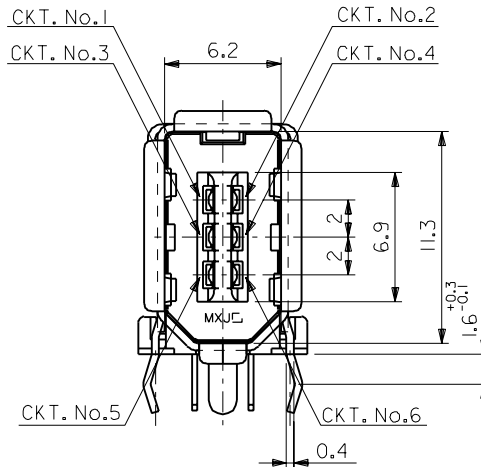
Material Info

Reference - Drawing Numbers

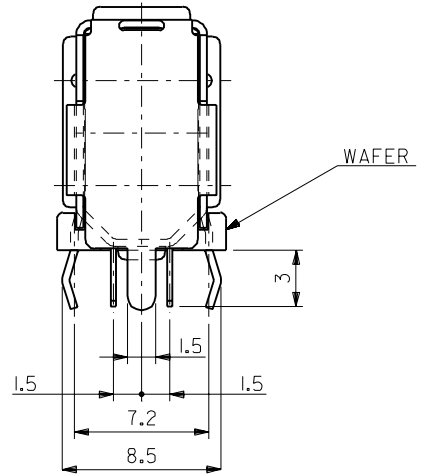
Application Specification	AS-51145-001
Product Specification	PS-51145-001, PS-53460-001, PS-53460-002, PS-53460-003, PS-53460-005, PS-53460-006, PS-54030-010, PS-54030-032, PS-54030-033, PS-54030-035, PS-54030-036, PS-54030-038, PS-54030-039, PS-59205-209, RPS-51145-001, RPS-53460-002, RPS-53460-019, RPS-54030-028, RPS-54030-038
Sales Drawing	SD-53460-019, SD-53460-0621

This document was generated on 06/07/2010

PLEASE CHECK WWW.MOLEX.COM FOR LATEST PART INFORMATION



部品名 PARTS NAME	材質 MATERIAL	注記 NOTES
ウエハー WAFER	ガラス入り46ナイロン NYLON46 G.F.	G.F.30%, UL94V-0, 色:黒 G.F.30%, UL94V-0, COLOR:BLACK
ピン PIN	黄銅 t0.25 BRASS t0.25	接点部:金メッキ0.76µmMIN. CONTACT AREA:GOLD 0.76µmMIN. 半田付け部:半田メッキ3µmMIN. SOLDERTAIL AREA:TIN-LEAD 3µmMIN. 下地メッキ:ニッケルメッキ2µmMIN. UNDER-PLATING:NICKEL 2µmMIN.
シェル SHELL	りん青銅 t0.4 PHOSPHOR BRONZE t0.4	半田メッキ:3~6µm TIN-LEAD:3~6µm 下地メッキ:ニッケルメッキ1.27µmMIN. UNDER-PLATING:NICKEL 1.27µmMIN.



角度 ANGLE	公差	記号	変更内容	DR. DATE	DR. CHK. DATE	材料 MATERIAL	表参照
30°以上 OVER	+3°					仕上り FINISH	表参照 SEE TABLE
10°以上 30°未満 OVER	+0.25	A	変更 REVISIONED (JC80715)	98/3/16		適用電線範囲 WIRE RANGE	表参照 SEE TABLE
10°未満 UNDER	+0.2	O	新規作成 RELEASED (JC80564)	98/1/12		被覆外径 INS. RANGE	表参照 SEE TABLE
GENERAL TOLERANCES						DRAWN BY '98/1/12 T.NIISU	CHK'D BY '98/3/17 S.KUNISHI
						APP'D BY '98/3/17 M.FUKUSHIMA	尺 度 SCALE 4:1

MOLEX-JAPAN CO.,LTD. 日本モレックス株式会社	
REVISE ONLY ON CAD SYSTEM	
TITLE 名称	
2.0 I/O CONN. SOCKET RIGHT-ANGLE UPRIGHT WITH KINK	
DWG. NO.	REV
SD-53460-0621	A